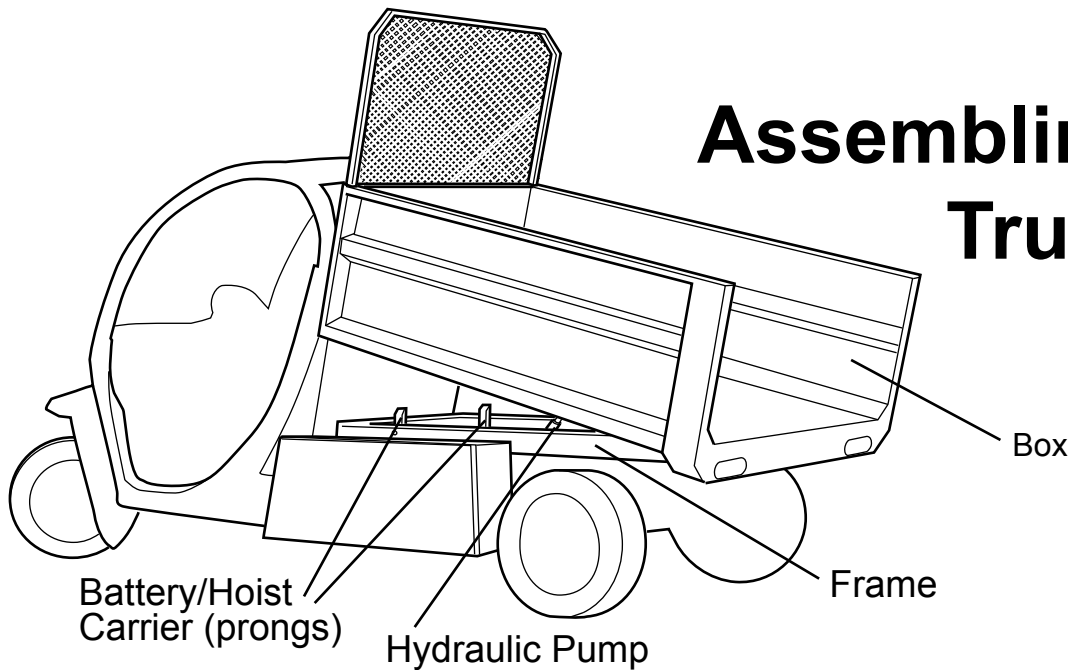
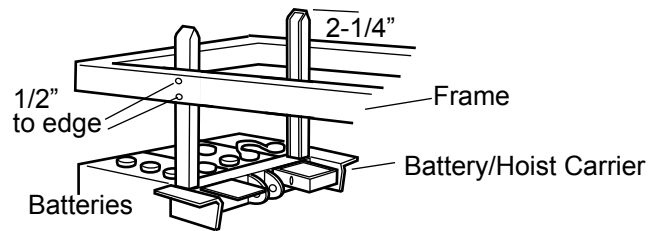


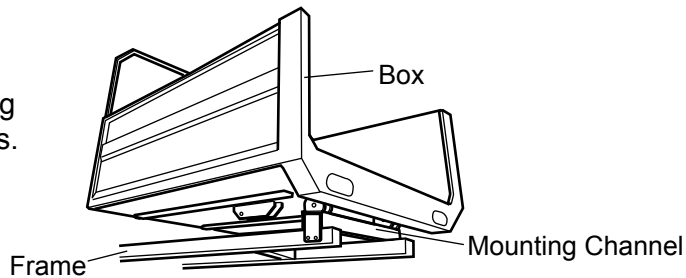
Assembling Box to Truck Frame



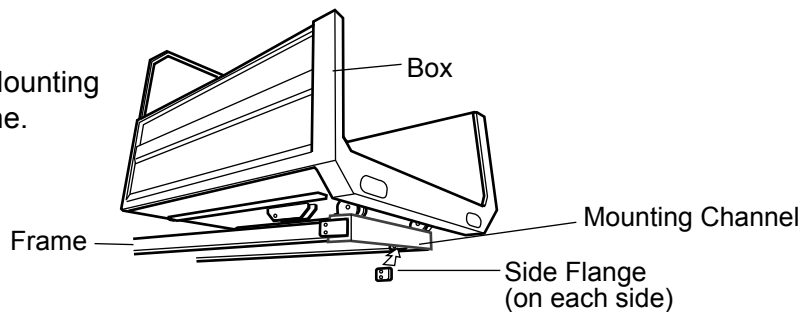
- 1.** Bolt the Battery/Hoist Carrier to each side of the frame directly behind the vehicle's battery pack. Drill holes and place appropriate size bolts. Place 2 bolts on each side, with each bolt within 1/2" of the top or bottom edge. Position Battery/Hoist Carrier so top 2-1/4" of its prongs extend over top of frame to act as box guides.



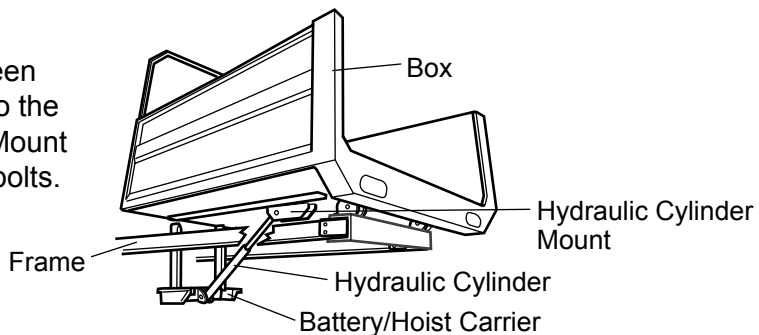
- 2.** Mount the Box by fastening its Mounting Channel over the end of the Frame rails. Drill holes on each side of the Frame for the bolts.



- 3.** Mount the Side Flanges of the Mounting Channel to each side of the frame. Use the appropriate size bolts: 3/8" x 2".



- 4.** Mount the Hydraulic Cylinder between the Battery/Hoist Carrier mounted to the Frame and the Hydraulic Cylinder Mount on the Box. Use appropriate sized bolts.



- 5.** Connect Power.